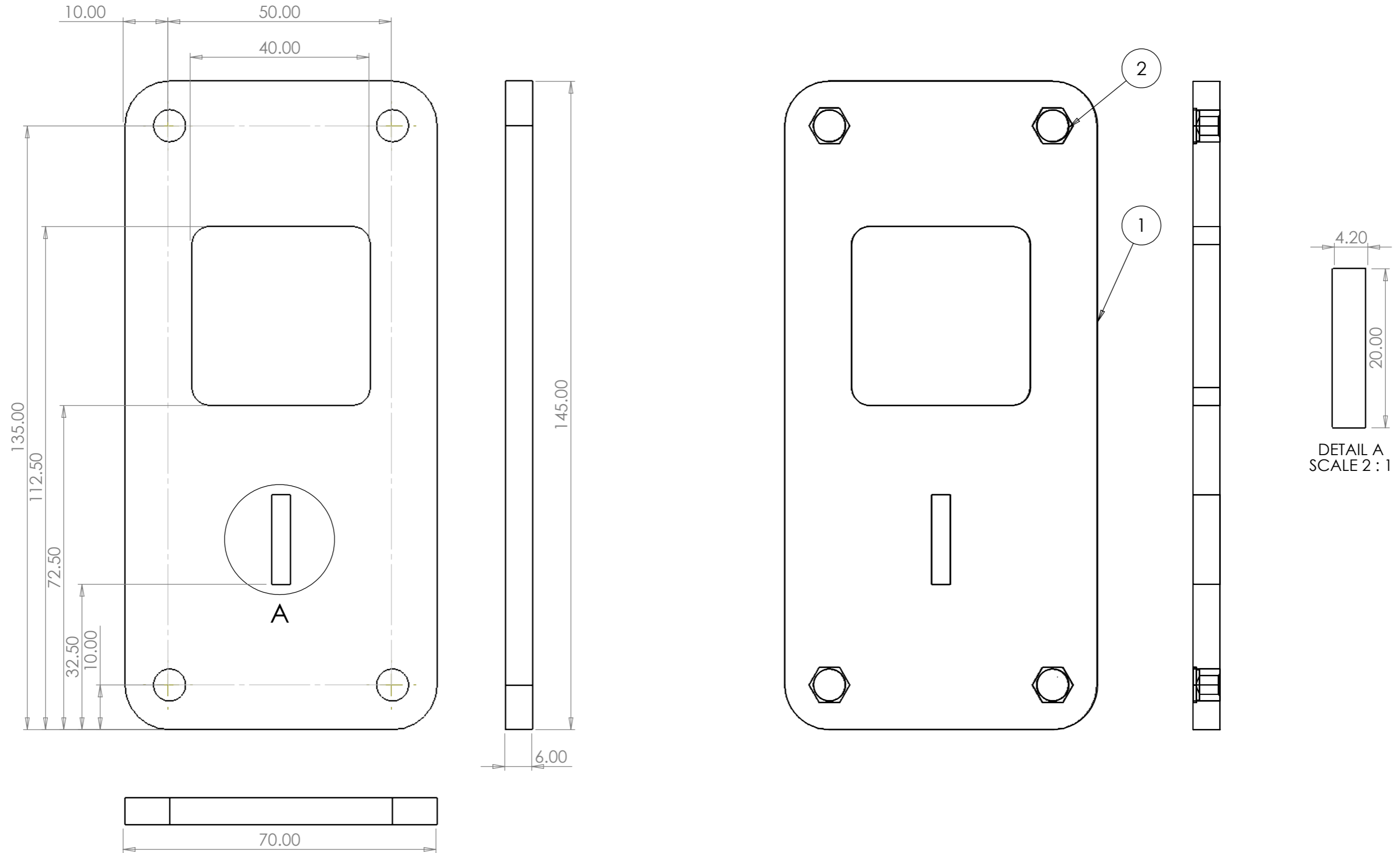


## Intercom Stand Mount Back Plate



**Notes**

1. All Burrs & Sharp edges must be removed
2. All Dimensions Are Prior To Adding a Finish

ITEM NO.	PART NUMBER	DESCRIPTION	QTY.
1	AM3164	Intercom Stand Mount Plate	1
2	PEM0065	M5x6 BLIND STANDOFF	4